

CF6-80 Exhaust Gas Temperature (EGT) Probe

DESCRIPTION

The benefits of AMETEK's latest high temperature technology for the GE90-115B are now extended to all CF6-80C/E EGT applications. This new probe is certified for installation in all CF6-80C and CF6-80E engines, along with its banner installation on the GE90-115B.

AMETEK probe accuracy ensures precisely measured EGT margins leading to longer engine time on wing. High temperature life increases with AMETEK's new CF6-80C/E EGT probe. This latest design certified and proven with engine manufacturer support makes it the most reliable and cost effective component offered today. Now with a single crystal super alloy probe support coated for oxidation resistance, and a superior element sheath material, AMETEK's EGT probe has the best resistance to mechanical creep and the highest resistance to probe erosion.

AMETEK is also the supplier of EGT cables for both CF6 and GE90-115 applications. In this role as a system provider, all thermocouple materials and processes enjoy consistent processing in AMETEK's factory which is controlled by Six Sigma manufacturing and calibration. The operator sees no boundaries - the entire EGT system is from the same responsible source with the same high quality product support.

AMETEK supplies turbine sensors for the long haul. AMETEK is the original supplier for EGT sensing on all CF6 engines, qualified for over thirty years. AMETEK has always offered its product for CF6-80C and now adds extended performance with these new materials and qualification for all CF6-80s. AMETEK's selection for the GP7200 EGT system confirms AMETEK's position as the leader for hot section sensors.



FEATURES

- ✓ Maximum Temperature Capability
- ✓ Longest Life
- ✓ OEM Qualified
- ✓ Proven Technology
- ✓ Lower Operating Costs
- ✓ Patented Fast Time Response Aspiration Flow Technique
- ✓ Patented Vibration Resistance Design Features

CF6-80 Exhaust Gas Temperature (EGT) Probe

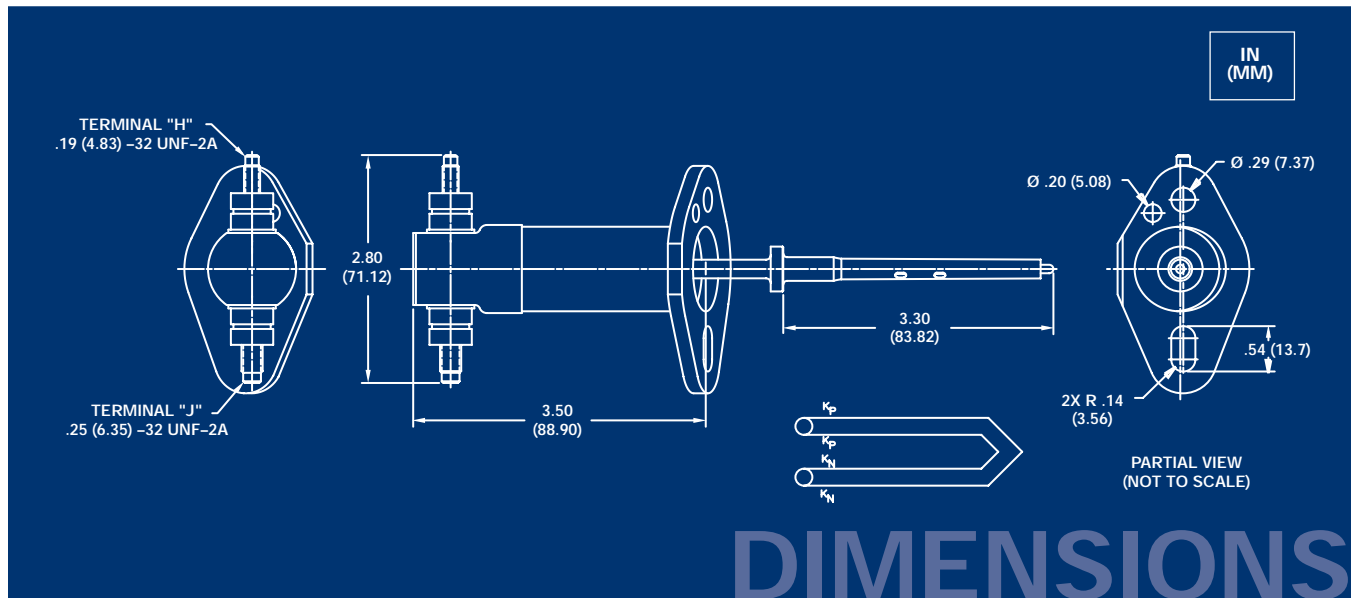
INSTALLATIONS

AMETEK P/N 8TC34ABW1, GEAE P/N 1962M86P01 is certified for installation on all CF6-80C variants, replacing the following GEAE P/N's:

1696M81P09
1696M81P10
1696M81P12
1696M81P13
9373M91P03
9373M91P05

AMETEK P/N 8TC34ABY1, GEAE P/N 1962M86P02 is certified for installation on all CF6-80E variants, replacing the following GEAE P/N's:

1696M81P08
1696M81P13



AMETEK®
AEROSPACE
www.ametekaerospace.com

HEADQUARTERS
50 Fordham Road • Wilmington MA 01887 U.S.A.

Sales

Tel: 978-988-4771 • Fax: 978-988-4944
www.ametekaerospace.com • E-mail: aerosales@ametek.com

Distribution and Repair

Tel: 978-988-4100 • Fax: 978-988-4720
www.ametekaerospace.com/service.asp